

## TO-92 Plastic-Encapsulate Transistors

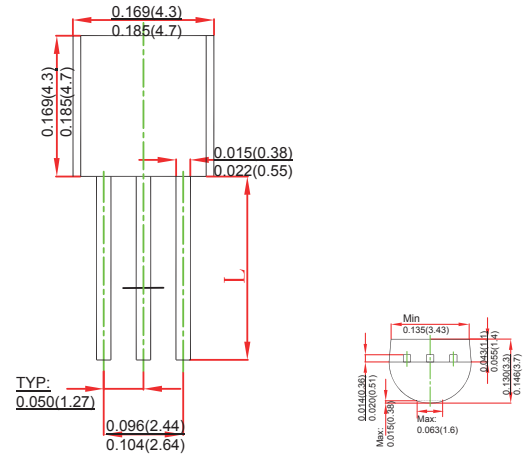
### FEATURES

- High Voltage
- Complement to BC546,BC547,BC548
- TRANSISTOR (PNP)

### MECHANICAL DATA

- Case style:TO-126 molded plastic
- Mounting position:any

### TO-92



## MAXIMUM RATINGS AND CHARACTERISTICS

@ 25°C Ambient Temperature (unless otherwise noted)

Symbol	Parameter	Value	Unit	
$V_{CBO}$	Collector-Base Voltage	BC556	-80	V
		BC557	-50	
		BC558	-30	
$V_{CEO}$	Collector-Emitter Voltage	BC556	-65	V
		BC557	-45	
		BC558	-30	
$V_{EBO}$	Emitter-Base Voltage	-5	V	
$I_C$	Collector Current-Continuous	-0.1	A	
$P_C$	Collector Power Dissipation	625	mW	
$R_{\theta JA}$	Thermal Resistance from Junction to Ambient	200	°C/W	
$T_J$	Junction Temperature	150	°C	
$T_{stg}$	Storage Temperature	-55~+150	°C	

### ORDERING INFORMATION

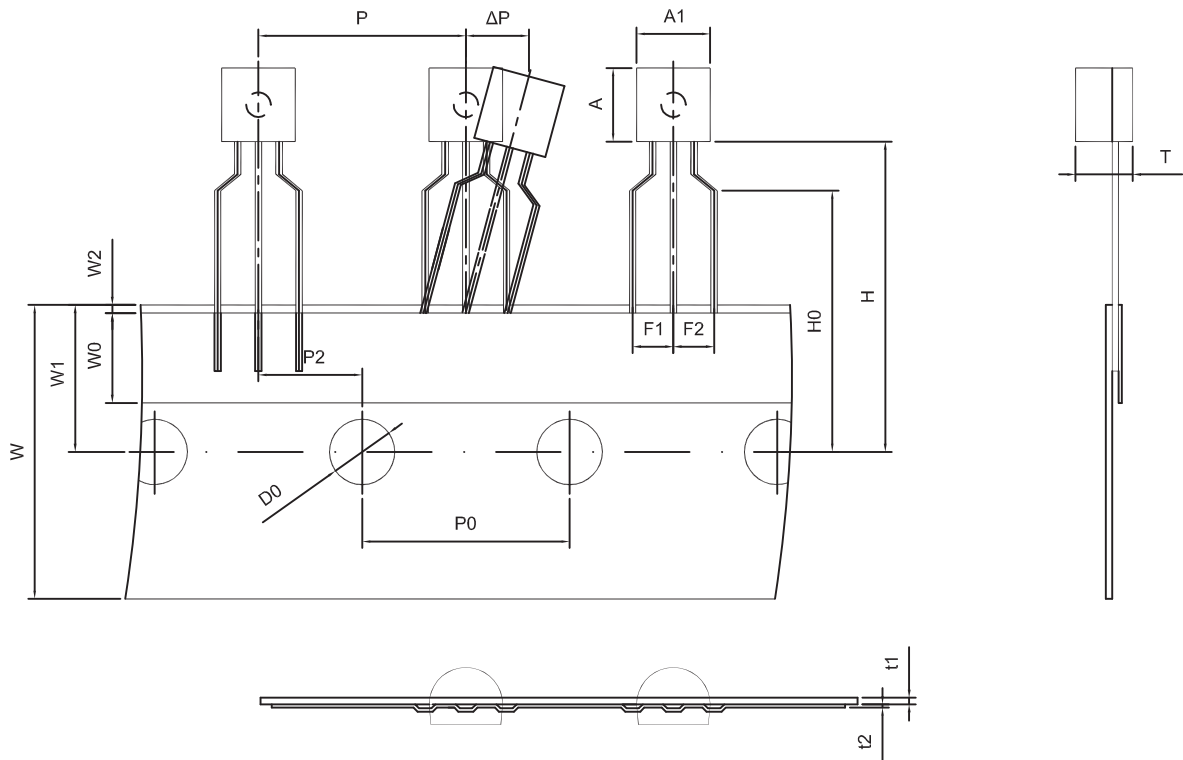
Part Number	Package	Packing Method	Pack Quantity
BC556	TO-92	Bulk	1000pcs/Bag
BC556-TA	TO-92	Tape	2000pcs/Box
BC557	TO-92	Bulk	1000pcs/Bag
BC557-TA	TO-92	Tape	2000pcs/Box
BC558	TO-92	Bulk	1000pcs/Bag
BC558-TA	TO-92	Tape	2000pcs/Box

Parameter	Symbol	Test conditions	Min	Typ	Max	Unit
Collector-base breakdown voltage	BC556	$I_C = -0.1mA, I_E = 0$	-80			V
	BC557		-50			
	BC558		-30			
Collector-emitter breakdown voltage	BC556	$I_C = -2mA, I_B = 0$	-65			V
	BC557		-45			
	BC558		-30			
Emitter-base breakdown voltage	$V_{(BR)EBO}$	$I_E = -100\mu A, I_C = 0$	-5			V
Collector cut-off current	BC556	$V_{CB} = -70V, I_E = 0$			-0.1	$\mu A$
	BC557		$V_{CB} = -45V, I_E = 0$		-0.1	
	BC558		$V_{CB} = -25V, I_E = 0$		-0.1	
Collector cut-off current	BC556	$V_{CE} = -60V, I_B = 0$			-0.1	$\mu A$
	BC557		$V_{CE} = -40V, I_B = 0$		-0.1	
	BC558		$V_{CE} = -25V, I_B = 0$		-0.1	
Emitter cut-off current	$I_{EBO}$	$V_{EB} = -5V, I_C = 0$			-0.1	$\mu A$
DC current gain	$h_{FE}$	$V_{CE} = -5V, I_C = -2mA$	120		800	
Collector-emitter saturation voltage	$V_{CE(sat)}$	$I_C = -10mA, I_B = -0.5mA$			-0.3	V
		$I_C = -100mA, I_B = -5mA$			-0.65	V
Base-emitter saturation voltage	$V_{BE(sat)}$	$I_C = -10mA, I_B = -0.5mA$			-0.8	V
		$I_C = -100mA, I_B = -5mA$			-1	V
Base-emitter voltage	$V_{BE}$	$V_{CE} = -5V, I_C = -2mA$	-0.55		-0.7	V
		$V_{CE} = -5V, I_C = -10mA$			-0.82	V
Collector output capacitance	$C_{ob}$	$V_{CB} = -10V, I_E = 0, f = 1MHz$			6	pF
Transition frequency	BC556	$V_{CE} = -5V, I_C = -10mA, f = 100MHz$		150		MHz
	BC557			150		MHz
	BC558			150		MHz

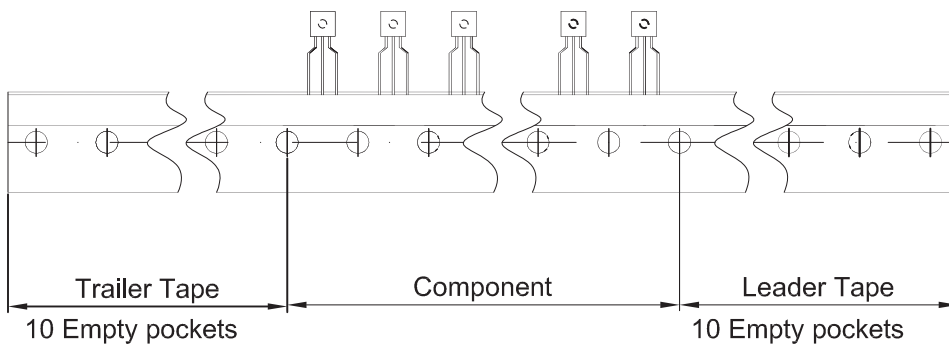
### CLASSIFICATION of $h_{FE}$

RANK	A	B	C
RANGE	120-220	180-460	420-800

TO-92 PACKAGE TAPEING DIMENSION



Dimiensions are in millimeter								
A1	A	T	P	P0	P2	F1	F2	W
4.5	4.5	3.5	12.7	12.7	6.35	2.5	2.5	18.0
W0	W1	W2	H	H0	D0	t1	t2	ΔP
6.0	9.0	1.0 MAX.	19.0	16.0	4.0	0.4	0.2	0



Package	Box	Box Size(mm)	Carton	Carton Size(mm)
TO-92	2000 pcs	333×162×43	20,000 pcs	350×340×250